



## ENGINE

Model	FPT F5BFL413B*B
Emissions Certification	Tier 4 Final
Type	Diesel 4-stroke, Turbocharged
Cylinders	4
Bore/Stroke	3.90 x 4.33 in (99 x 110 mm)
Displacement	207 in <sup>3</sup> (3.4 L)
Fuel injection	Direct, high pressure common rail – HPCR
Fuel	Diesel
Engine speeds*	RPM
Rated speed – full load	2200
Low idle	900 – 1000
High idle – no load	2330 – 2430
Horsepower @ 2200 RPM:	
Gross	97 hp (72 kW)
Net	95 hp (71 kW)
Maximum torque @ 1400 RPM:	
Gross	334 lb-ft (453 N-m)
Net	333 lb-ft (452 N-m)
Torque rise at rated speed	45% +/- 5%
Radiator:	
Core type	Square wave
Core size area	486 in <sup>2</sup> (3 145 cm <sup>2</sup> )
Rows of tubes	4
39° fan:	
Style	9 blade suction
Diameter	19.65 in (499 mm)
Ratio**	1.4:1
Pump operating angle ratings:	
Side to side	Rated 35°
Fore and aft	Rated 35°
Oil filtration	Replaceable, full flow cartridge

NOTE: \*Engine speeds w/ standard transmission.  
Meets federal emission regulations.  
\*\*Viscous fan.

## DRIVETRAIN

Transmission – standard:  
4F-4R Power Shuttle Synchromesh Transmission  
manual gear shift, fully synchronized

Specifications below apply to the Power Shuttle  
transmission.

Gear ratios	Forward/Reverse
1st	5.603/4.643
2nd	3.481/2.884
3rd	1.584/1.313
4th	0.793/0.657

Travel speeds – Standard Power Shuttle

Transmission	Forward	Reverse
	mph (kph)	mph (kph)
1st	3.4 (5.5)	4.1 (6.6)
2nd	5.5 (8.9)	6.6 (10.7)
3rd	11.8 (19)	14.2 (22.8)
4th	22.5 (36.2)	27 (43.4)

Transmission – optional:  
Powershift H-Type, 4F-3R hydraulic clutch  
shifting w/ auto shift mode

Gear ratios	Forward/Reverse
1st	5.533/4.549
2nd	3.359/2.762
3rd	1.533/1.260
4th	0.811/—

Travel speeds – Optional H-Type Powershift

Transmission:	Forward	Reverse
	mph (kph)	mph (kph)
1st	3.5 (5.6)	4.2 (6.7)
2nd	5.7 (9.1)	6.8 (10.9)
3rd	12.1 (19.4)	14.5 (23.3)
4th	22.1 (35.5)	—

Torque converter ratio 2.38

Differential-lock:  
On-the-go push-button activation

Front/Rear axle:	
Differential ratio	2.29/2.75
Planetary hub ratio	6.0/6.4
Total reduction ratio	13.7/17.6

Service brakes:  
Individually applied, power assisted,  
hydraulically actuated, maintenance-free,  
self-adjusting, outboard mounted, wet disc,  
2 per side.  
Total disc area 384 in<sup>2</sup> (0.25 m<sup>2</sup>)

Parking brakes Trans Mounted  
spring-applied hydraulic release – SAHR

NOTE: Travel speeds w/ 19.5 L x 24.0 tires.

## ELECTRICAL

Voltage	12 Volts, negative ground
Alternator	160 amp
Single Battery	900 amp
Power plugs – 1	20 amp

## OPERATOR ENVIRONMENT

ROPS/FOPS certified protective cab; 2 door w/  
heat, A/C, defroster, floor mat, Bluetooth radio,  
front and rear wiper; Interior rearview convex  
mirror; Mechanical suspension deluxe seat; 2 in  
(50 mm) retractable seat belt; Cup holder and  
storage trays positioned on the right side; and  
enclosed storage compartment on left side.

Gauges:  
Engine water temperature; Converter oil  
temperature; Fuel level; Tachometer/  
hourmeter; DEF level.

Warning lights:  
Air cleaner restriction; Alternator; A/C high  
pressure; Cold start; Engine oil pressure;  
Hydraulic oil filter bypass; Parking brake  
engagement; Low fuel; Water in fuel; Low DEF.

Audible alarms w/ diagnostics:  
Coolant temperature; Engine oil pressure;  
Parking brake engagement; Converter oil  
temperature; Shuttle engagement/seat  
position; Backup alarm; Low DEF.

Horn Dual switched front and rear

## OPERATING WEIGHT

### Configuration 1:

Cab, HVAC, 14' standard backhoe, standard  
loader bucket with cutting edge, large  
counterweight, 24" HD backhoe bucket, Front  
Wheels 14 x 17.5 Rear Wheels 21L x 24, ride  
control and operator.

18,695 lb (8 480 kg)

### Configuration 2:

Cab, HVAC, 15' Extendahoe backhoe, standard  
loader bucket with cutting edge, medium  
counterweight, 24" HD backhoe bucket, Front  
Wheels 14 x 17.5, Rear Wheels 21L x 24, ride  
control and operator.

19,709 lb (8 940 kg)

## HYDRAULICS

### Pump:

Sauer Danfoss Variable Displacement Axial Piston Pump	
Flow Ratings	43.6 gpm @ 2,973 psi (165 L/min @ 205 bar)

### Main relief pressure:

2,973 +/- 44 psi (205 +/- 3 bar)

### Filtration:

7-micron, full flow replaceable cartridge on return line, condition indicator light for filter.

Oil cooler	Heavy-duty
------------	------------

### Loader control valve:

Two or three spool sectional valve. The two spool valve has single lever control for lift and tilt. The three spool valve has a pilot controlled clam valve. The lift lever has positive hold "float" position and "return to dig" feature. Valve is post compensated with flow sharing. Valve allows simultaneous operation of loader lift and loader bucket.

### Backhoe flow @ 2200 RPM:

Maximum backhoe flow for 1-way hydraulics:	35.9 gpm @ 2,973 psi (136 L/min @ 205 bar)
--	---

### Pilot backhoe control valve:

Six, seven, or eight spool sectional closed center control valve. Basic control valve is closed center, w/ circuits in parallel w/ a post-compensated, flow sharing feature for simultaneous operation of all circuits.

### 1-way flow auxiliary hydraulics:

1-way flow hydraulic valve is equipped with a variable flow feature adjustable at the valve.

#### Actuation:

Pilot controls – left-hand joystick/pedal.

### 2-way flow auxiliary hydraulics:

2-way flow hydraulic valve is equipped with a variable flow feature adjustable at the valve

#### Actuation:

Left-hand joystick.

### Combo auxiliary hydraulics:

Incorporates both a 1-way flow control valve and a 2-way control valve, using only 2 hydraulic lines through the boom.

#### Actuation:

Activate the 2-way flow switch located on the rear console  
Pilot controls – left-hand joystick

### Standard front axle:

4WD Differential	1.7 gal (6.5 L)
------------------	-----------------

### Rear axle:

Differential and planetaries	5.6 gal (21.2 L)
------------------------------	------------------

Engine oil w/ filter	8.5 qt (8.0 L)
----------------------	----------------

## OTHER SPECIFICATIONS

### Front tires:

14 L x 17.5, 10-ply rating
12.0 L x 16.5, 10-ply rating
12.5/80 x 18.0 10-ply rating

### Rear tires:

19.5 L x 24.0, 10-ply rating
16.9 L x 28.0, 10-ply rating
21 L x 24.0, 10-ply rating

### Turning radius: Curb to Curb:

4WD – disengaged*:	
Turning Right	14 ft 7 in (4.44 m)
Turning Left	15 ft 5 in (4.70 m)

NOTE: \*Turning radius dimensions curb to curb w/ 12.5/80 x 18.0 front tires and 18.4 x 26.0 R4 rear tires.

## SERVICE CAPACITIES

Fuel tank	34.6 gal (131 L)
-----------	------------------

DEF tank	3.5 gal (13.2 L)
----------	------------------

### Hydraulic system:

Total	37 gal (142 L)
-------	----------------

### Transmission – total system:

4WD Standard	22 qt (20.8 L)
--------------	----------------

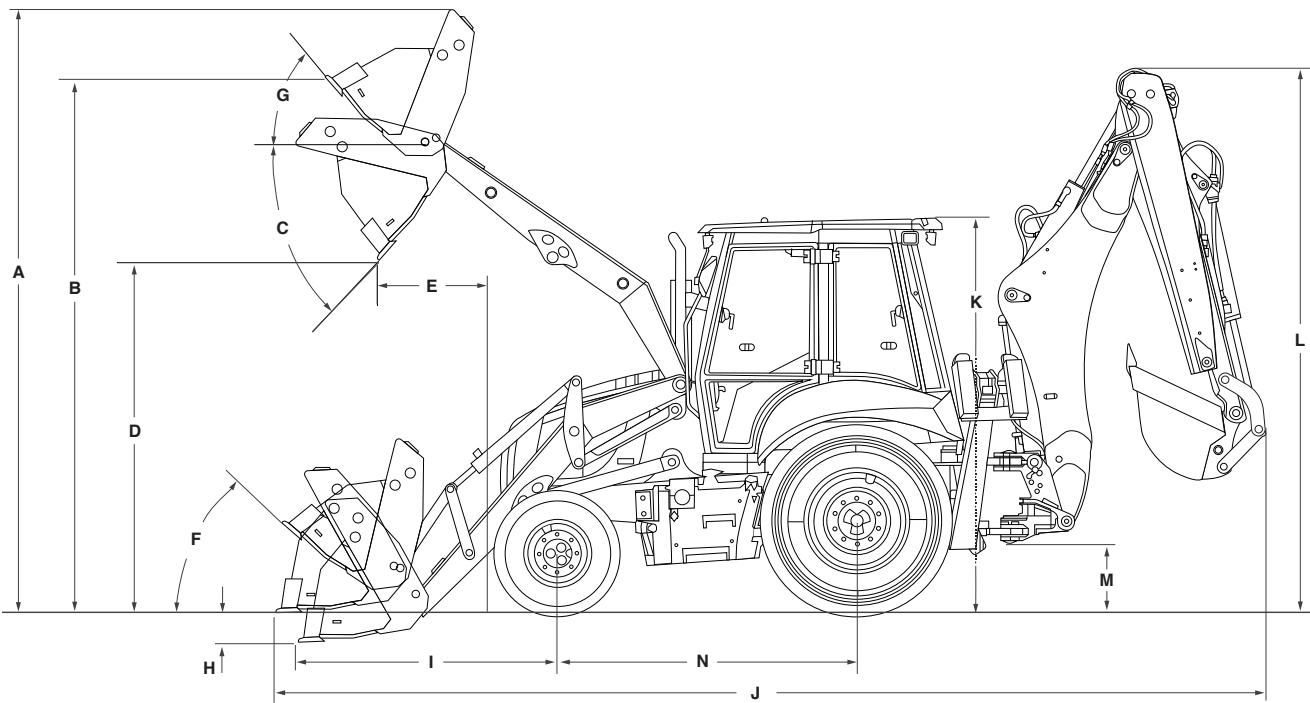
## LOADER BUCKET SIZES

Type	Width	Weight	Struck	Heaped Capacity
Heavy Duty Bucket with bolt-on edge	89 in (2.30 m)	1,042 lb (473 kg)	1.05 yd <sup>3</sup> (0.80 m <sup>3</sup> )	1.30 yd <sup>3</sup> (1.00 m <sup>3</sup> )
4 IN 1 <sup>®</sup> Bucket with bolt-on edge	89 in (2.30 m)	1,721 lb* (781 kg)	1.05 yd <sup>3</sup> (0.80 m <sup>3</sup> )	1.30 yd <sup>3</sup> (1.00 m <sup>3</sup> )

NOTE: \*Weight of 4 IN 1<sup>®</sup> bucket includes cylinders and hoses.

## BACKHOE BUCKET SIZES

Type	Width	Weight	Heaped Capacity
Heavy Duty	12 in (305 mm)	245 lb (111 kg)	2.8 ft <sup>3</sup> (0.08 m <sup>3</sup> )
	18 in (457 mm)	302 lb (137 kg)	4.2 ft <sup>3</sup> (0.12 m <sup>3</sup> )
	24 in (610 mm)	348 lb (158 kg)	6.0 ft <sup>3</sup> (0.17 m <sup>3</sup> )
	30 in (762 mm)	388 lb (176 kg)	8.1 ft <sup>3</sup> (0.23 m <sup>3</sup> )
	36 in (914 mm)	439 lb (199 kg)	9.9 ft <sup>3</sup> (0.28 m <sup>3</sup> )
High Capacity Bucket	24 in (610 mm)	388 lb (176 kg)	7.1 ft <sup>3</sup> (0.20 m <sup>3</sup> )



Line drawings are for illustrative purpose only and may not be exact representation of unit.

### LOADER DIMENSIONS

	Heavy Duty Bucket	4 IN 1® Bucket
<b>A.</b> Overall operating height – fully raised	13 ft 11 in (4.25 m)	14 ft 5 in (4.38 m)
Height to:		
<b>B.</b> Bucket hinge pin fully raised	11 ft 1 in (3.38 m)	11 ft 1 in (3.38 m)
<b>C.</b> Dump angle at full height	47°	47°
<b>D.</b> Dump clearance at full height, 45° dump: Bucket	10 ft 7 in (3.22 m)	8 ft 4 in (2.55 m)
<b>E.</b> Dump reach at full height, 45° dump – from bumper: Bucket	2 ft 9 in (829 mm)	2 ft 8 in (824 mm)
Bucket rollback:		
<b>F.</b> @ Groundline	42°	42°
<b>G.</b> @ Full height	50°	50°
<b>H.</b> Digging depth below grade: Bucket flat	5.0 in (120 mm)	8.6 in (219 mm)
<b>I.</b> Reach from front axle centerline – bucket on ground	–	6 ft 10 in (2.07 m)
Lift capacity to full height – calculated values	7,606 lb (3 450 kg)	7,044 lb (3 195 kg)
Breakout force:		
Lift cylinders	8,014 lbf (3 565 daN)	8,041 lbf (3 577 daN)
Dump cylinders	14,711 lbf (6 544 daN)	14,950 lbf (6 650 daN)
Raising time to full height	3.4 sec	3.4 sec
Bucket dumping time	2.3 sec	2.3 sec
Lowering time:		
Power down	2.8 sec	2.8 sec
Clam:		
Open time	–	1.9 sec
Close time	–	1.4 sec

NOTE: Loader dimensions taken with 4WD, 14 x 17.5 front tires and 16.9 L x 28.0 rear tires.

### DIMENSIONS

	Center Pivot Backhoe with 16.9 L x 28.0 tires	Side Shift Backhoe with 16.9 L x 28.0 tires
<b>J.</b> Overall transport length: Heavy Duty bucket	23 ft 7 in (7.19 m)	19 ft 3 in (5.87 m)
Overall transport width	8 ft 2 in (2.48 m)	7 ft 10 in (2.39 m)
Height:		
<b>K.</b> To top of cab	9 ft 5 in (2.86 m)	9 ft 5 in (2.86 m)
<b>L.</b> Transport	13 ft 0 in (3.96 m)	12 ft 10 in (3.90 m)
<b>M.</b> Ground clearance at backhoe frame	13.4 in (341 mm)	11.3 in (286 mm)
Angle of departure	25°	20°
<b>N.</b> Wheelbase:		
16.9 x 28.0 tires	7 ft 2 in (2.18 m)	7 ft 2 in (2.18 m)

**CYLINDERS**

	<b>Bore Diameter</b>	<b>Rod Diameter</b>	<b>Stroke</b>	<b>Closed Length</b>
<b>Loader:</b>				
Lift – 2	3.54 in (90 mm)	1.97 in (50 mm)	28.62 in (727 mm)	40.94 in (1 040 mm)
Dump – 2	3.25 in (82.6 mm)	1.75 in (44.5 mm)	30.59 in (777 mm)	40.16 in (1 020 mm)
4 IN 1° clam – 2	3.00 in (76.2 mm)	1.75 in (44.5 mm)	9.08 in (230.6 mm)	19.62 in (498.3 mm)
<b>Backhoe:</b>				
14 ft Boom	5.12 in (130 mm)	2.56 in (65 mm)	35.71 in (907 mm)	47.52 in (1 207 mm)
14 ft Dipperstick	4.92 in (125 mm)	2.56 in (65 mm)	27.60 in (701 mm)	39.72 in (1 009 mm)
Bucket	3.54 in (90 mm)	2.56 in (65 mm)	30.00 in (762 mm)	42.24 in (1 073 mm)
14 ft Extendahoe®	2.95 in (75 mm)	1.77 in (45 mm)	41.34 in (1 050 mm)	55.12 in (1 400 mm)
Swing – 2	4.33 in (110 mm)	1.97 in (50 mm)	9.40 in (238.5 mm)	5.40 in (137.1 mm)
Stabilizer – 2	3.94 in (100 mm)	2.20 in (56 mm)	24.8 in (630 mm)	37.01 in (940 mm)

**AXLE RATINGS**

	<b>Rear</b>	<b>Front – 4WD</b>
Maximum static	–	46,367 lbf (20 625 daN)
Dynamic operating	16,861 lbf (7 500 daN)	18,546 lbf (8 250 daN)
Static operating	42,152 lbf (18 750 daN)	46,367 lbf (20 625 daN)
Oscillation – front axle	–	22° total – 11° side to side

**BACKHOE LIFT CAPACITIES**

In-Line Cylinder Standard Backhoe		In-Line Cylinder Backhoe with Extendahoe®			
		Retracted		Extended	
14 ft Backhoe		14 ft Backhoe	15 ft Backhoe	14 ft Backhoe	15 ft Backhoe
Boom Lift	Lift Capacity lb (kg)	Lift Capacity lb (kg)	Lift Capacity lb (kg)	Lift Capacity lb (kg)	Lift Capacity lb (kg)
+16 ft (4.87 m)	3,574 (1 624)	3,055 (1 389)	3,168 (1 440)	1,844 (838)	2,409 (1 095)
+14 ft (4.27 m)	4,023 (1 829)	3,516 (1 598)	3,729 (1 695)	2,513 (1 142)	2,607 (1 185)
+12 ft (3.66 m)	4,139 (1 881)	3,597 (1 635)	3,828 (1 740)	2,582 (1 174)	2,673 (1 215)
+10 ft (3.05 m)	4,069 (1 850)	3,539 (1 609)	3,784 (1 720)	2,594 (1 179)	2,706 (1 230)
+8 ft (2.44 m)	3,954 (1 797)	3,424 (1 556)	3,454 (1 570)	2,571 (1 169)	2,673 (1 215)
+6 ft (1.83 m)	3,816 (1 734)	3,309 (1 504)	3,245 (1 475)	2,536 (1 153)	2,563 (1 165)
+4 ft (1.22 m)	3,689 (1 677)	3,193 (1 451)	3,135 (1 425)	2,490 (1 132)	2,497 (1 135)
+2 ft (0.61 m)	3,574 (1 624)	3,078 (1 399)	3,080 (1 400)	2,455 (1 116)	2,464 (1 120)
<b>Ground Level</b>	3,470 (1 577)	2,986 (1 357)	3,102 (1 410)	2,409 (1 095)	2,464 (1 120)
-2 ft (0.61 m)	3,366 (1 530)	2,894 (1 315)	3,179 (1 445)	2,375 (1 079)	2,508 (1 140)
-4 ft (1.22 m)	3,297 (1 499)	2,813 (1 279)	3,113 (1 415)	2,352 (1 069)	2,530 (1 150)
-6 ft (1.83 m)	3,239 (1 472)	2,755 (1 252)	3,069 (1 395)	2,329 (1 058)	2,519 (1 145)
-8 ft (2.44 m)	3,228 (1 467)	2,732 (1 242)	3,047 (1 385)	2,329 (1 058)	2,530 (1 150)
-10 ft (3.05 m)	3,343 (1 520)	2,801 (1 273)	3,113 (1 415)	2,363 (1 074)	2,563 (1 165)
-12 ft (3.66 m)	3,574 (1 624)	3,090 (1 404)	3,586 (1 630)	2,467 (1 121)	2,662 (1 210)
-14 ft (4.27 m)	—	—	—	2,859 (1 300)	2,915 (1 325)
<b>Dipper Lift</b>					
+14 ft (4.27 m)	—	—	—	3,613 (1 642)	3,388 (1 540)
+12 ft (3.66 m)	5,545 (2 520)	4,948 (2 249)	4,312 (1 960)	3,935 (1 789)	3,311 (1 505)
+10 ft (3.05 m)	5,330 (2 423)	5,819 (2 645)	4,158 (1 890)	3,875 (1 762)	3,267 (1 485)
+8 ft (2.44 m)	5,437 (2 472)	5,819 (2 645)	4,202 (1 910)	3,923 (1 783)	3,300 (1 500)
+6 ft (1.83 m)	5,962 (2 710)	5,819 (2 645)	4,488 (2 040)	4,102 (1 864)	3,410 (1 550)
+4 ft (1.22 m)	—	5,819 (2 645)	5,324 (2 420)	4,495 (2 043)	3,685 (1 675)
+2 ft (0.61 m)	—	—	—	5,390 (2 450)	4,191 (1 905)

NOTE: Boom and Dipper Lift Capacities are rated per SAE J31 and are 87% of the maximum hydraulic lift force available with the specified options.

**BACKHOE OPERATIONAL DATA**

	In-Line Cylinder 14 ft Standard Backhoe	In-Line Cylinder 15 ft Backhoe with Extendahoe®	
		Retracted	Extended
Digging depth:			
Maximum	14 ft 5 in (4.40 m)	15 ft 1 in (4.60 m)	18 ft 6 in (5.63 m)
2 ft (610 mm) flat bottom	14 ft 3 in (4.34 m)	14 ft 11 in (4.55 m)	18 ft 4 in (5.58 m)
8 ft (2.44 m) flat bottom	13 ft 1 in (3.99 m)	13 ft 9 in (4.19 m)	17 ft 5 in (5.30 m)
Overall reach from swing pivot	18 ft 7 in (5.66 m)	19 ft 5 in (5.91 m)	23 ft 0 in (7.00 m)
Loading height	11 ft 9 in (3.57 m)	12 ft 1 in (3.68 m)	14 ft 2 in (4.32 m)
Loading reach	6 ft 9 in (2.05 m)	7 ft 0 in (2.13 m)	9 ft 9 in (2.98 m)
Swing arc	180°	180°	180°
Bucket rotation – speed hole	204°	204°	204°
Stabilizer spread – in up position	7 ft 6 in (2.30 m)	7 ft 6 in (2.30 m)	7 ft 6 in (2.30 m)
Digging force:			
Bucket cylinder – SAE rated 3,050 psi	12,933 lb (5 755 daN)	12,933 lb (5 755 daN)	12,933 lb (5 755 daN)
Dipper cylinder – SAE rated 3,050 psi	8,588 lb (3 822 daN)	8,100 lb (3 605 daN)	5,782 lb (2 573 daN)

NOTE: Lift capacities apply straight to the rear of prime mover. 4WD with 14 x 17.5 front tires, 16.9 x 28 rear tires, and equipped with 24 in (610 mm) heavy-duty bucket except as noted.

## STANDARD EQUIPMENT

### OPERATOR ENVIRONMENT

See page 1

### ENGINE

FPT F5 diesel  
Selective Catalytic Reduction – SCR  
Full flow engine oil filter  
Aspirated air cleaner – replaceable dual element dry type with radial seal  
Fuel filter with water trap  
Radiator with de-aeration bottle  
Antifreeze to -34° F (-37° C)  
Electronic throttles – foot and rotary hand  
Self-adjusting belt  
High Pressure Common Rail computer controlled injection with diagnostic features  
ECO Power Mode  
Auto Engine Idle  
Auto Engine Shutdown  
Auto Protection Shutdown  
Electronic Fuel Priming  
Glow Plugs

## OPTIONAL EQUIPMENT

### OPERATOR ENVIRONMENT

Speed selectable Auto Ride Control  
ROPS/FOPS certified protective canopy

### DRIVETRAIN

H-Type Powershift transmission, 4F-3R, hydraulic clutch shifting, kick down, transmission disconnect and FNR switch in loader control lever, includes auto shift mode

### LOADER

Auxiliary hydraulics for loader-mounted equipment with thumb-operated proportional control  
Hydraulic front quick coupler  
Tool portfolio of additional attachments  
Buckets – see page 2

### DRIVETRAIN

Power Shuttle 4F-4R synchromesh transmission  
Front axle:  
4WD mechanically driven front axle with 14.0 L x 17.5 tires  
Rear axle:  
4WD heavy-duty outboard planetary drive, with 16.9 L x 28.0 tires  
Torque converter – 11.8 in (300 mm)  
On-the-go electric 4WD control  
Electric F/R shuttle control  
Electric differential lock control, push-button  
Park brake, spring-applied, hydraulic release – SAHR

### HYDRAULICS

Load Sensing Closed Center with Variable Volume Pump  
Heavy-duty hydraulic oil cooler  
7-micron, spin on oil filter

### LOADER

Tool carrier loader arms with self leveling in both directions and return to dig; Single lever 4-function loader control: lift, dump, clutch cut-out, differential lock

### BACKHOE

In-line cylinder curved boom backhoe design  
Cleated dirt stabilizer pads (center pivot)  
Mechanical Transport Lock

### OTHER

Forward tilt engine hood  
Front/Rear tie downs  
Reflective logos  
Signal Lights – cab and canopy:  
2 rear tail/stop  
2 front flashers/turn  
2 rear flashers/turn  
Working/Driving Lights – cab and canopy:  
Adjustable halogen work lights – 55 W:  
4 front  
4 rear  
Master disconnect switch and remote jump-start terminals  
Hydrostatic steering  
Backup alarm  
Vertical spin-on engine oil, fuel and hydraulic filters  
Tool Box

### WARRANTY

1-Year/Unlimited-Hour Full-Coverage Base Limited Warranty  
2-Year/2,000-Hour Extended Engine Warranty

### BACKHOE

Backhoe design styles:  
Side Shift  
Center Pivot  
Overlapping Cylinder Boom with Extendahoe®  
1-way Auxiliary backhoe hydraulics for hammers, plate compactors or similar  
1-way flow attachments  
1-way/2-way Auxiliary backhoe hydraulics for hammers, plate compactors or similar  
1-way flow attachments or switch to 2-way flow for augers or similar 2-way flow attachments  
Backhoe Booms:  
14 ft Standard Boom  
14 ft Extendahoe®  
15 ft Extendahoe®  
Pilot operated control system:  
Thumb-operated proportional Electro-Hydraulic Extendahoe® control  
Thumb-operated horn button  
Thumb-operated auxiliary hydraulic control  
Infinitely adjustable towers  
In-cab switchable “excavator to backhoe” control pattern change

Dirt stabilizer pads (side shift)  
Universal Footstreet stabilizer pads (side shift)  
Flip over stabilizer pads (center pivot)  
Bucket quick coupler  
Buckets – see page 2

### OTHER

LED Working/Driving Light Package:  
4 front  
4 rear  
Dual 12 volt batteries  
Cold Weather Lubricants

### TELEMATICS

CASE SiteWatch™ Telematics

### SERVICE PARTS

3 inch seat belt  
N Series compatible backhoe coupler for in-line cylinder backhoe

CaseCE.com

©2023 CNH Industrial America LLC. All rights reserved. CASE is a trademark registered in the United States and many other countries, owned by or licensed to CNH Industrial N.V., its subsidiaries or affiliates. CNH Industrial Capital is a trademark in the United States and many other countries, owned by or licensed to CNH Industrial N.V., its subsidiaries or affiliates. Printed in U.S.A. Contains 10% post-consumer fiber.

IMPORTANT: CASE Construction Equipment Inc. reserves the right to change these specifications without notice and without incurring any obligation relating to such change. Availability of some models and equipment builds vary according to the country in which the equipment is used. The illustrations and text may include optional equipment and accessories and may not include all standard equipment. Your CASE dealer/distributor will be able to give you details of the products and their specifications available in your area.



CASE Construction Equipment is biodiesel-friendly. NOTE: All engines meet current EPA emissions regulations. All specifications are stated in accordance with SAE Standards or Recommended Practices, where applicable.



Always read the Operator's Manual before operating any equipment. Inspect equipment before using it, and be sure it is operating properly. Follow the product safety signs and use any safety features provided.

Form No. CCE202306580SV  
Replaces Form No. CCE202303580SV

580SV

6 of 6